



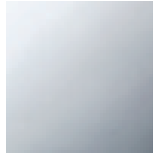
## Sink - IMO

Three-hole lavatory mixer with drain - polished chrome

Article number: 20 713 670-00 0010



- 6-1/2" Projection
- US drain with overflow
- Rigid spout
- Rectangular aerated stream
- Total height 8-5/8"
- Height to aerator/spout outlet 6-3/4"
- Valve hole diameter 1-1/4"
- Spout hole diameter 1-3/8"
- Flange 2-3/8" x 2-3/8"
- Water flow rate limited to max. 1.2 gpm
- lead-free
- (ADA)
- Suitable only for basins with overflow.



polished chrome



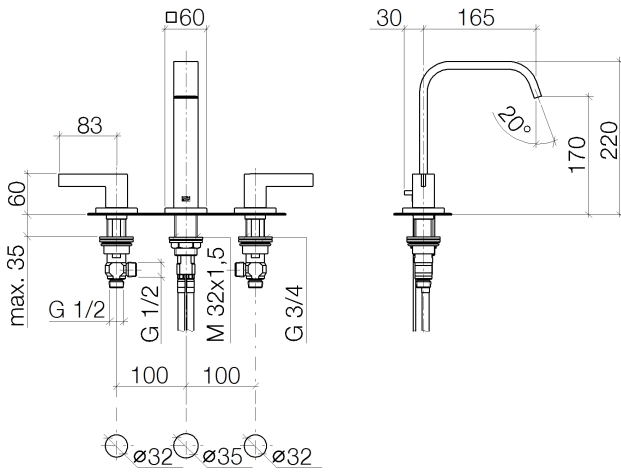


## Sink - IMO

Three-hole lavatory mixer with drain - polished chrome

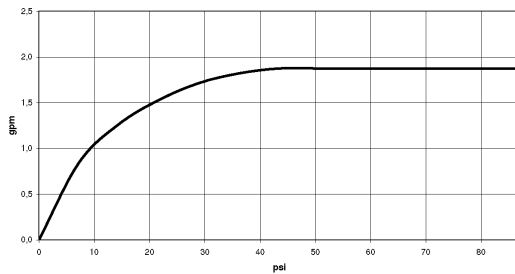
Article number: 20 713 670-00 0010

## Dimensional drawing



All dimensions in mm / inch = mm x 0,0394

## Flow rate chart





## Sink - IMO

Three-hole lavatory mixer with drain - polished chrome

Article number: 20 713 670-00 0010

## Other surface finishes

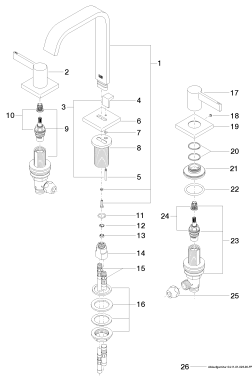


platinum matte

20 713 670-06 0010

More custom finish options are available via special production (xTra Service). Please see our finish matrix for availability and pricing or contact a Dornbracht representative.

## Spare parts list



Number	Item Number	Designation	Number of units
--------	-------------	-------------	-----------------